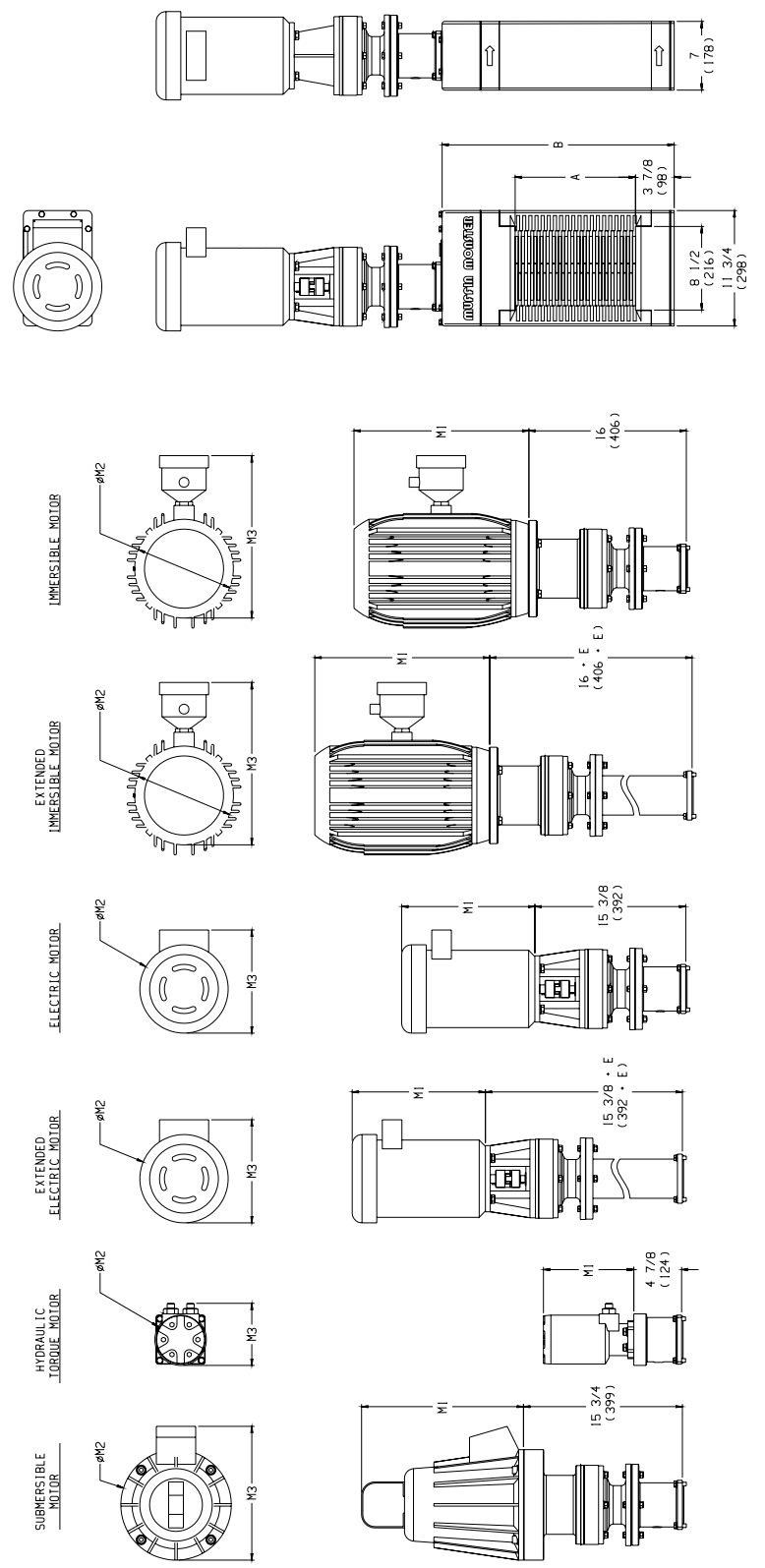


8 7 6 5 4 3 2 1

NOTES UNLESS OTHERWISE SPECIFIED:  
 1. DIMENSIONS ARE IN INCHES (MM)

ZONE / ITR	INITIAL RELEASE	DESCRIPTION	DATE	APPROVED
ALL NEW	5-11-95	3-0428 JK	5-11-95	3-0428 JK
ALL A	6-20-01	ADDED CURRENT MOTOR OPTIONS A, TAB BLOCKS	6-20-01	3-0799 RS
ALL B	09-17-01	ADDED SHIP OPTION TO SUBMERSIBLE MOTORS	09-17-01	3-0815 CG
ALL C	07-20-04	ADDED IMMERSIBLE MOTOR DETAILS	07-20-04	3-0941 JK
ALL D	03-14-06	ADD EXTENDED SHAFT SPEC ON IMMERSIBLE MOTOR, 103-14-06	03-14-06	3-0949

D C B A



DRIVE TABULATION				
ELECTRIC	M1	M2	M3	
3 HP				
TEFC	12 1/2 (318)	8 7/8 (225)	9 3/4 (248)	
SUPER-E	13 3/8 (340)	9 (229)	12 (305)	
TEXP	15 (381)	9 (229)	12 (305)	
CHEM PRCS EXTRM SRVC	14 1/4 (362)	10 1/4 (260)	12 1/4 (311)	
5 HP				
TEFC	14 (356)	8 7/8 (225)	11 1/4 (286)	
SUPER-E	13 3/8 (340)	9 (229)	12 (305)	
TEXP	16 1/4 (413)	9 (229)	12 (305)	
CHEM PRCS EXTRM SRVC	14 1/4 (362)	10 1/4 (260)	12 1/4 (311)	
SUBMERSIBLE	14 1/2 (368)	11 1/4 (286)	14 1/2 (368)	
2.2 KW (3 HP)	14 1/2 (368)	11 1/4 (286)	14 1/2 (368)	
3.7 KW (5 HP)	14 1/2 (368)	11 1/4 (286)	14 1/2 (368)	
HYDRAULIC				
STANDARD	9 1/4 (235)	5 1/8 (130)	6 1/8 (156)	
IMMERSIBLE				
3 HP-5 HP (2.2 KW-3.7 KW)	18 (457)	10 1/16 (256)	15 1/2 (394)	

AVAILABLE SHAFT EXTENSIONS

DIM E	12 (305)	18 (457)	24 (610)	30 (762)	36 (914)	42 (1069)	48 (1219)	54 (1372)	60 (1524)	66 (1676)	72 (1829)	78 (1981)	84 (2134)	90 (2286)	96 (2438)	102 (2591)	108 (2743)	114 (2896)	120 (3048)
-------	----------	----------	----------	----------	----------	-----------	-----------	-----------	-----------	-----------	-----------	-----------	-----------	-----------	-----------	------------	------------	------------	------------

HEIGHT TABULATION		
MODEL	A	B
30005-8	8 (203)	19 1/2 (495)
30005-12	12 (305)	23 5/8 (600)
30005-18	18 (457)	29 1/2 (749)
30005-24	24 (610)	35 1/4 (895)
30005-32	32 (813)	43 (1092)
30005-40	40 (1016)	51 (1295)
30005-50	50 (1270)	61 (1549)
30005-60	60 (1524)	71 3/8 (1813)

ITEM NO. PART NO. Nomenclature OR DESCRIPTION SPECIFICATION OR MATERIAL

CONTRACT NO. JMC ENVIRONMENTAL 2000 South Gateways, Santa Ana, California 92707

APPROVALS: DRAWN R. SABUL DATE 5-11-95 CHECKED J. KIHNER DATE 5-18-95

MUFFIN MONSTER CONFIGURATION MODEL 30005

SIZE CODE IDENT NO. DRAWING NO. D 53242 30005-CD

REVISION D

SCALE 1/10

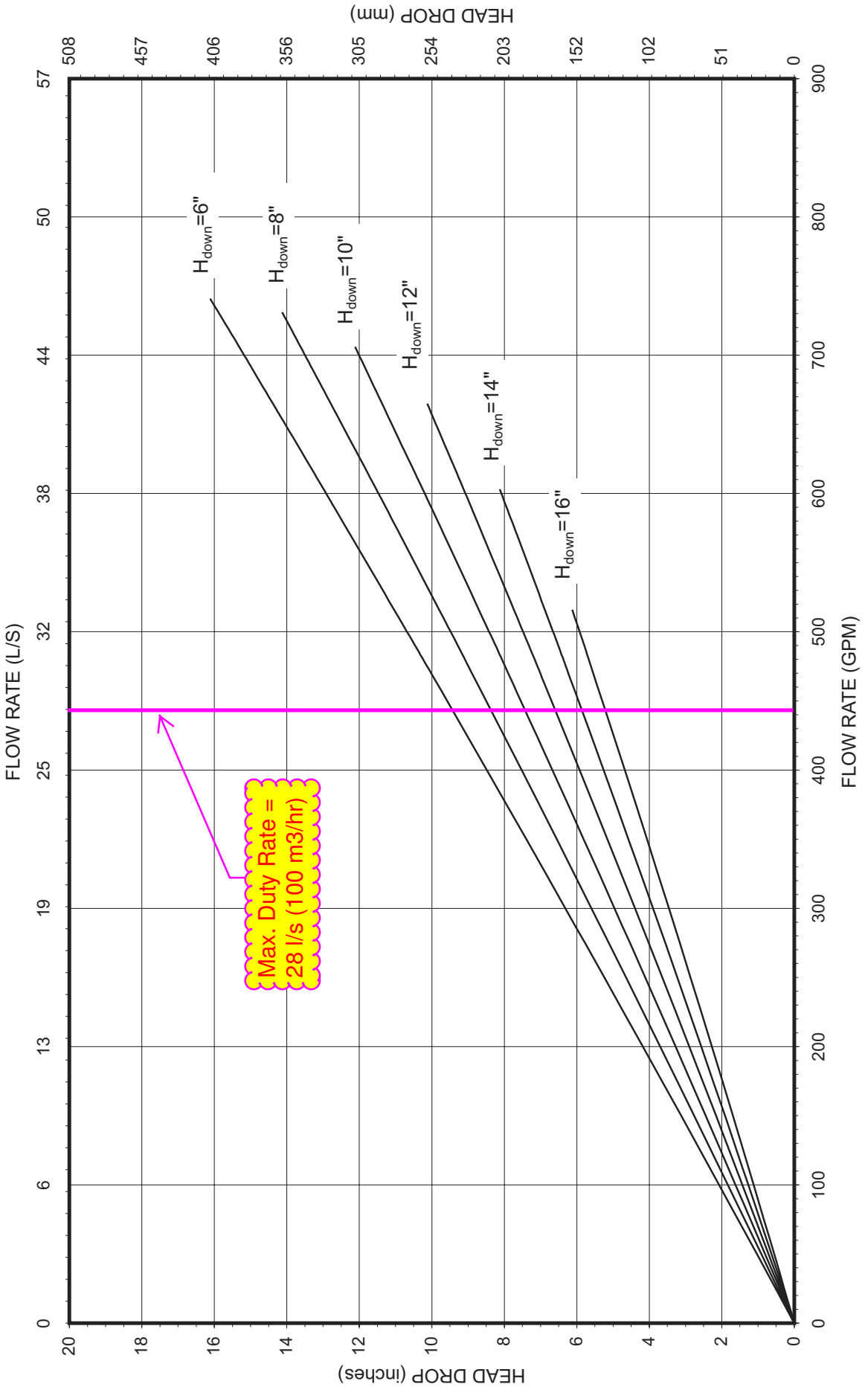
SHEET 1 OF 1

THIS DRAWING AND DATA ARE FULLY PROTECTED BY PATENT RIGHTS. ANY REPRODUCTION OF THIS DRAWING AND DATA WITHOUT THE WRITTEN PERMISSION OF JMC ENVIRONMENTAL IS STRICTLY PROHIBITED. THIS DRAWING IS MADE TO CONFORM WITH THE UNDERSTANDING IT SHALL BE RETURNED ON DEMAND.

ALL RIGHTS RESERVED

# HEAD DROP MODEL 30005-18

2-4-05



Max. Duty Rate =  
28 l/s (100 m<sup>3</sup>/hr)